

INTERNAL CROSS SECTION VIEW

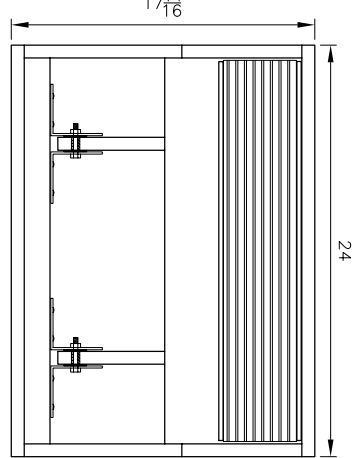
FULL SCALE 1"=1"

NOTE: BALL HOLES MAY BE CUT SMALLER TO ALLOW BALL TO STICK OUT FARTHER.

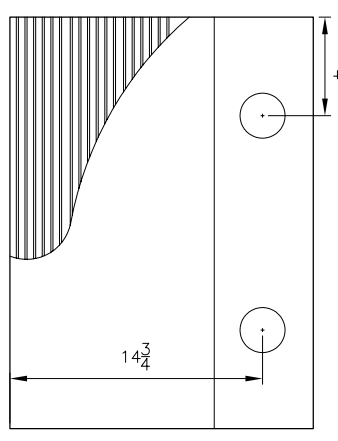
*POSITION OF THE LATCH CROSS MEMBER TO BE DETERMINED BY THE SIZE OF THE LATCH USED

o INDICATES SIDE SUPPORT BOUNDARY (PIN PRICK INSIDE THESE CIRCLES TO PRODUCE YOUR CUTTING TEMPLATE)

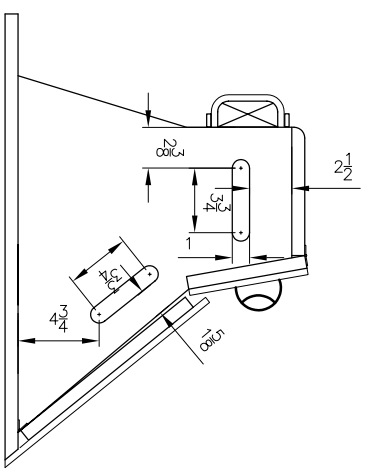
***NOTE:
THIS FLYBALL BOX DESIGN MEETS NAFA BOX REQUIREMENTS AS OF FEBRUARY 12, 2004



BACK VIEW



FRONT VIEW



SIDE VIEW

The Willoughby Workshop
www.flyballequip.com

| REV. No. | REVISION DESCRIPTION | BY | DATE |
|----------|----------------------|----|------|
| | | | |

DISCLAIMER
This drawing / design is the intellectual property of The Willoughby Workshop and may not be reproduced without permission. Slight variations may be required during the construction process. Builders shall verify all dimensions and construction conditions of one's tools, abilities, understanding and Please report any discrepancies that are found on this drawing.

DESIGN BY:
M. FREDA
DRAWN BY:
M. FREDA
DATE:
2004.03.10
SCALE:
AS SHOWN

TITLE:
BASIC 2 HOLE FLYBALL BOX PLANS

DRAWING NAME:
SHEET 1 INTERNAL CROSS SECTION

| |
|----------------------------|
| FILE NAME: 2HOLESH1.DWG |
| SHEET REVISION 1 OF 2 0 |